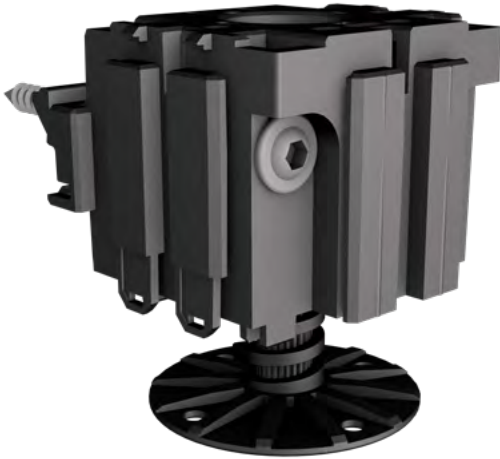
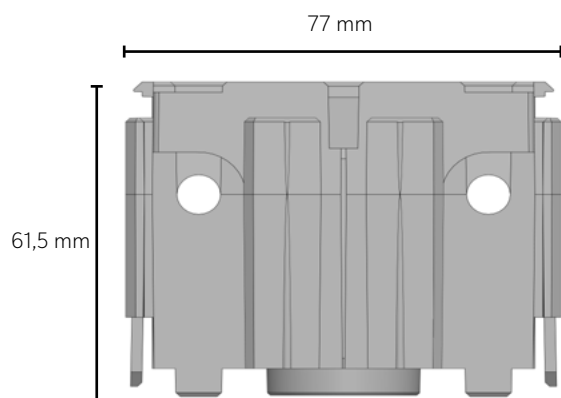
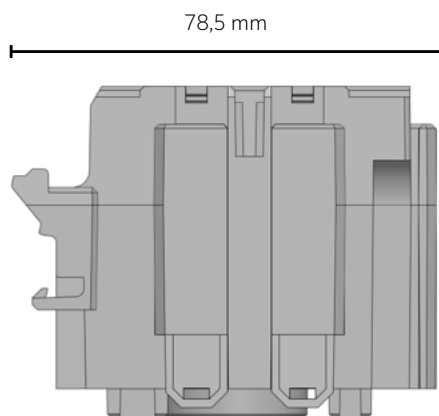


## TOP CUBE

Utilisation : To install wood or aluminium skirting

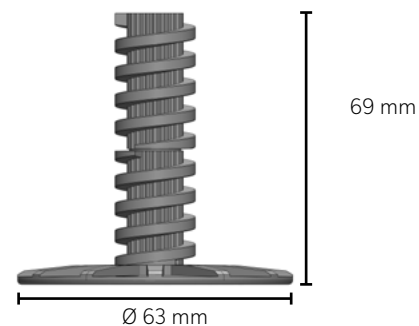
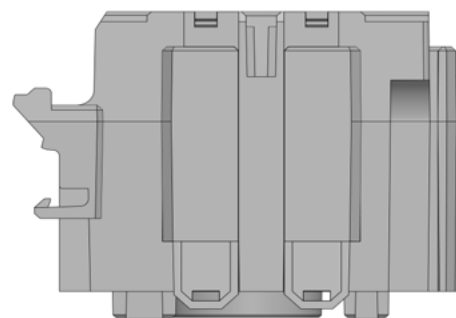


TOP CUBE



**TOP CUBE + TOP SCREW MINI-PEDESTAL**

|  |                  |
|--|------------------|
| <b>Material</b>  | Polyoxymethylene |
| <b>Density (kg/m<sup>3</sup>)</b>                          | 1410             |
| <b>Color</b>   | Black            |
| <b>Tensile stress at yield (MPa)</b>                       | 64               |
| <b>Fusion temperature °C</b>                               | 190-220          |
| <b>Tensile modulus (MPa)</b>                               | 2850             |
| <b>Coefficient of linear expansion (10<sup>-6</sup>/K)</b> | 110              |



**KIT CONTENTS**

- 4 Top cubes
- 4 Top Screw mini-pedestals
- 4 stainless steel 6x100 Torx large-head screw

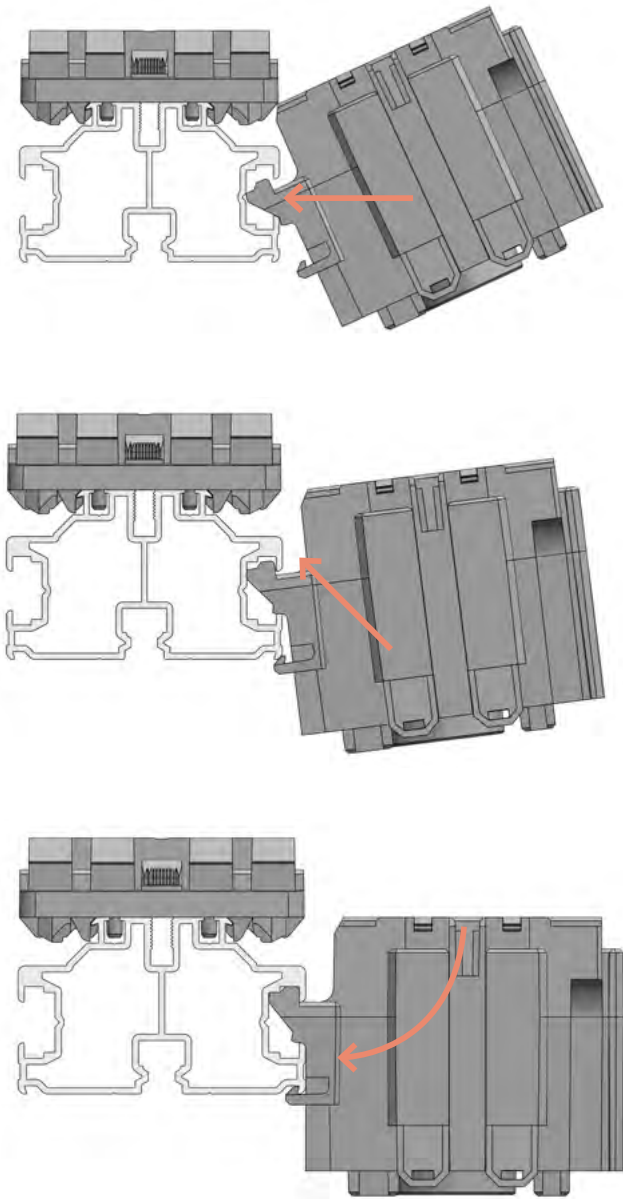
**KIT WEIGHT**

805,6 g

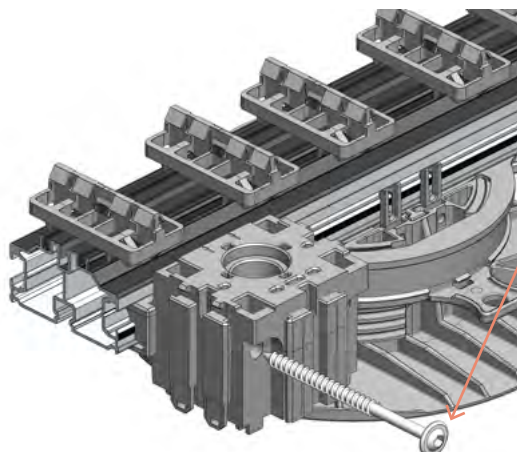
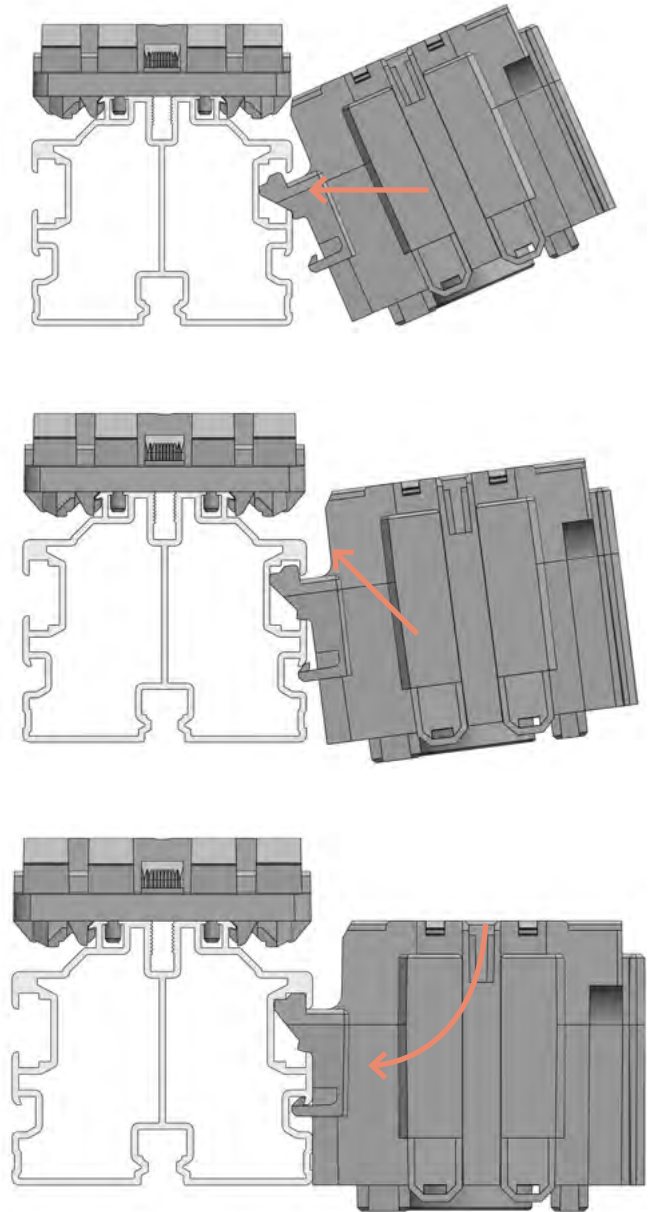
**DESCRIPTION**

Top Cube mount for wood and aluminium skirting with mini-pedestals and screws

TOP CUBE + PR39



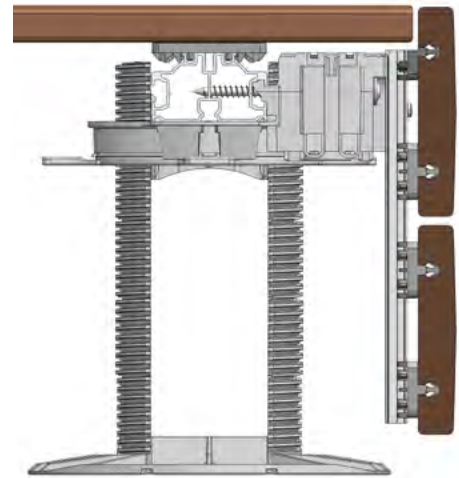
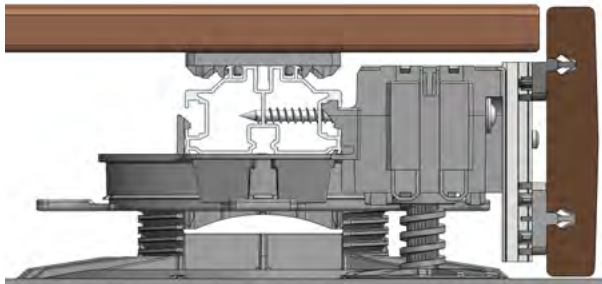
TOP CUBE + PR56



The top cube is locked in place using the 6x100 screw provided in the kit.

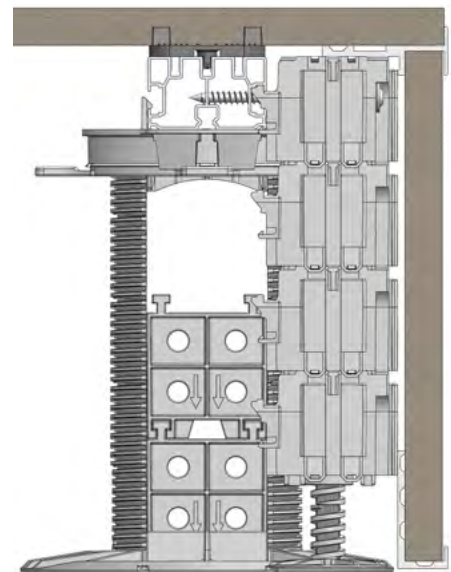
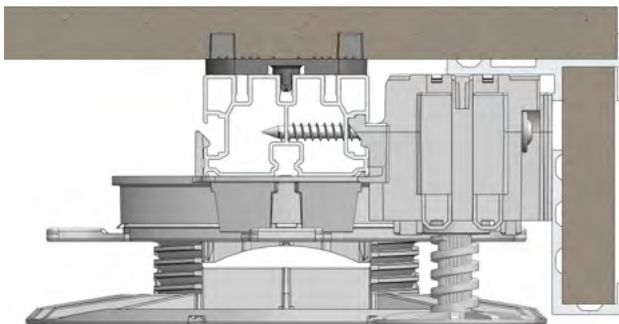
**WITH WOODEN BOARDS**

With wooden decking, there's no need to stack the Top Cubes, nor is it necessary to use a Top Screw mini-pedestal.



**WITH CERAMIC TILES**

It is recommended to use the Top Screw mini-pedestal with the Stone Rail system, as is the stacking of Top Cubes to provide additional support and to prevent the tile from sliding over the edge of the deck.



**HOW TO STACK TOP CUBES**

Top Cubes are easy to stack, as their design allows them to be clipped together.

